

## Floating suction cup

### SBS 100 SF G1/8-IG

Part no.:10.01.01.12688

<https://www.schmalz.com/10.01.01.12688>

Homepage > Vacuum Technology for Automation > Vacuum Components > Special Grippers > Floating suction cup > Floating Suction Cups

SBS > SBS 100 SF G1/8-IG

## Floating suction cup for handling sensitive workpieces

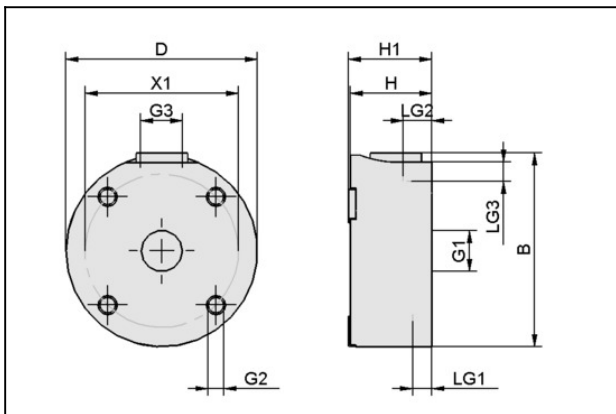


Diameter: 100 mm

Design: Standard Flow

Compressed-air connection: G1/8"-F

## Design Data



Attribute	Value
B	101 mm
D	100 mm
G1	G1/8"-F
G2	M4-F
G3	G1/8"-F
H	17 mm
H1	17.5 mm
LG1	5 mm
LG2	6 mm
LG3	6 mm
X1	75 mm

## Floating suction cup

### SBS 100 SF G1/8-IG

Part no.:10.01.01.12688

<https://www.schmalz.com/10.01.01.12688>

#### Technical Data

Attribute	Value
Holding force	46 N
Air consumption	13.5 m <sup>3</sup> /h
Air consumption	225 l/min
Pressure range (operating pressure)	1,0 ... 6,0 bar
Weight	295 g

Note: Air consumption: The values provided are based on an operating pressure of 5 bar, measured on a suction-tight workpiece. The actual values may differ depending on the properties of the workpiece.

---

#### Spare Parts



##### REIB-FL SBS HT1-60

Part no.10.01.01.12593

Friction Surface to increase lateral forces

for: Floating suction pad

Suction cup material:

High temp material HT1

Material hardness: 60 °Sh