

Flat suction cup (round) sensitive

SGN 6.3 SI-55 M5-AG

Part no.:10.01.01.10036

<https://www.schmalz.com/10.01.01.10036>

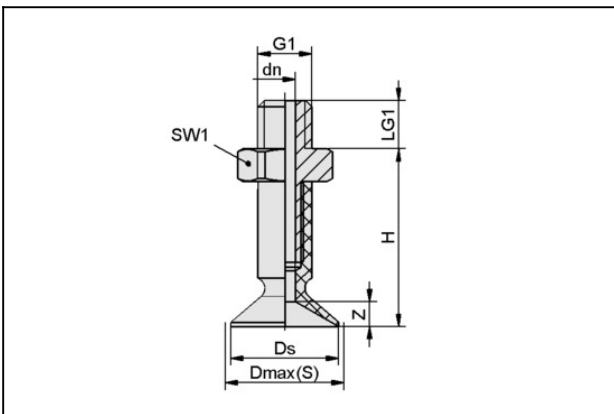
Homepage > Vacuum Technology for Automation > Vacuum Components > Vacuum Suction Cups > Suction Cups for Different Industries > Flat Suction Cups SGPN > SGN 6.3 SI-55 M5-AG

Flat suction cup (round), handling sensitive workpieces with uneven surfaces



Size: 6.3
 Suction cup material: Silicone SI
 Material hardness: 55 °Sh
 Material characteristics:
 FDA-compatible
 Nipple material: Aluminium
 Vacuum connection: M5-M

Design Data



Attribute	Value
Dmax(S)	7 mm
dn	1 mm
Ds	6.3 mm
G1	M5-M
H	15 mm
LG1	4.5 mm
SW1	8 mm
Z (Stroke)	1.5 mm

Technical Data

Flat suction cup (round) sensitive

SGN 6.3 SI-55 M5-AG

Part no.:10.01.01.10036

<https://www.schmalz.com/10.01.01.10036>

Attribute	Value
Number of folds	0
Size	6.3
Suction cup material	Silicone SI
Suction force (-600mbar)	1.5 N
Material hardness [Shore A]	55 Shore A

Note: Suction force: The specified suction forces are theoretical values at a vacuum of -0.6 bar and with a smooth, dry workpiece surface - they do not include a safety factor
 Hose diameter: The recommended hose diameter refers to a hose length of approx. 2 m

Spare Parts



SA-NIP N024 M5-AG DN100

Part no.10.01.01.00317

Suction cup connection nipple

Nipple: N 024

Thread G1: M5-M

Overall length: 15 mm

Fitting length: 3 mm

Nominal size: 1.00 mm

Material: Aluminium



SG 6.3 SI-55 N024

Part no.10.01.01.00600

Flat suction cup (round)

Size: 6.3

Suction cup material: Silicone SI

Material hardness: 55 °Sh

Material characteristics:

FDA-compatible