

Flat suction cup (round)

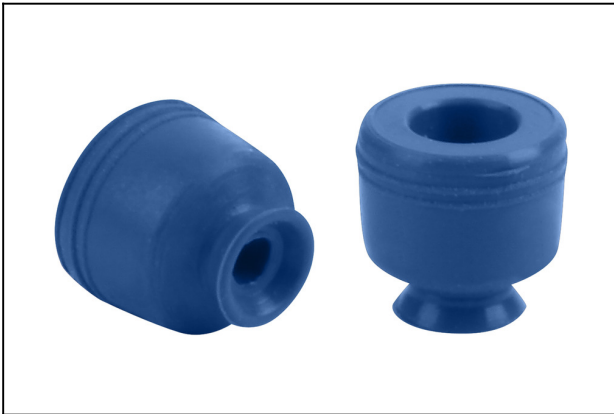
PFG 2 HT1-60 N003

Part no.:10.01.01.12967

<https://www.schmalz.com/10.01.01.12967>

Homepage > Vacuum Technology for Automation > Vacuum Components > Vacuum Suction Cups > Flat suction cup (round) > PFG 2 HT1-60 N003

Flat suction cup (round) for smooth or slightly rough surfaces



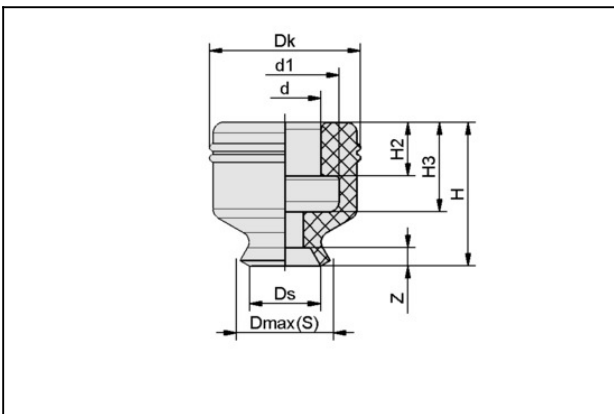
Size: 2

Suction cup material:

High temp material HT1

Material hardness: 60 °Sh

Design Data



Attribute	Value
d	2 mm
d1	3 mm
Dk	4.2 mm
Dmax(S)	3 mm
Ds	2 mm
H	4 mm
H2	1.5 mm
H3	2.5 mm
Z (Stroke)	0.5 mm

Technical Data

Flat suction cup (round)

PFG 2 HT1-60 N003

Part no.:10.01.01.12967

<https://www.schmalz.com/10.01.01.12967>

Attribute	Value
Suction force (-600mbar)	0.12 N
Volume	0.014 cm ³
Curve radius (min) (convex)	2 mm
Size	2
Nipple family	N 003
Number of folds	0
Suction cup material	High temp material HT1
Material hardness [Shore A]	60.0 Shore A
Product family	PFG

Accessories



SA-NIP N003 M3-AG DN100

Part no.10.01.01.00316

Suction cup connection nipple

Nipple: N 003

Thread G1: M3-M

Overall length: 7.5 mm

Fitting length: 2 mm

Nominal size: 1.00 mm

Material: Aluminium