

## Hose clamp SSD 28-32 ST-VZ

Part no.:10.07.10.00087

<https://www.schmalz.com/10.07.10.00087>

Homepage > Vacuum Technology for Automation > Vacuum Components > Filters and Connections > Hoses and Connectors > Hose Clamps

SSB / SSD > SSD 28-32 ST-VZ

### Hose clamp for securing wire-reinforced hoses

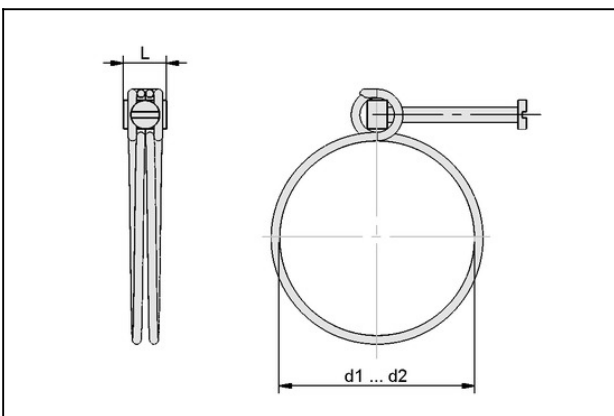


Clamping range: 28.0 ... 32.0 mm

Material: Steel

Surface: galvanised

### Design Data



Attribute	Value
d1	28 mm
d2	32 mm
L	12 mm

### Technical Data

Attribute	Value
Clamping range	28.0 ... 32.0 mm
Material	Steel
Weight	14.5 g

## Hose clamp SSD 28-32 ST-VZ

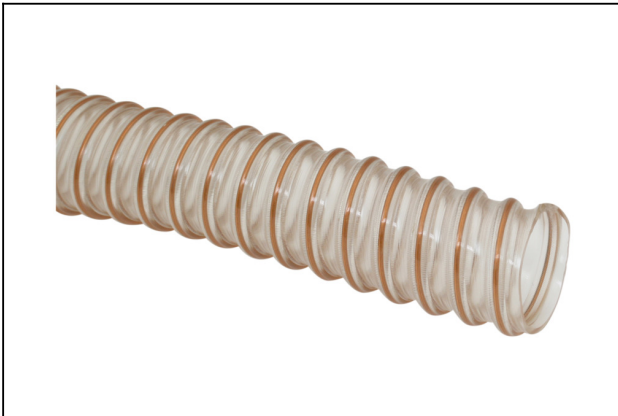
Part no.:10.07.10.00087

<https://www.schmalz.com/10.07.10.00087>



---

### Accessories



#### **VSL 33-25 PU-DS-AS**

Part no.10.07.09.00051

Hose for vacuum and compressed-air systems

External diameter D: 33 mm

Internal diameter d: 25 mm

Length (max): 20 m

Material: PU, wire spiral, antistat

Installation radius (min): 20 mm

Colour: Transparent

Pressure range (operating pressure):

-1.00 ... 3.86 bar

Ambient temperature: -40 ... 90 °C