

Flat suction cup (round)

PFYN 15 FPM-65 G1/8-AG

Part no.:10.01.01.00183

<https://www.schmalz.com/10.01.01.00183>

Homepage > Vacuum Technology for Automation > Vacuum Components > Vacuum Suction Cups > Flat suction cup (round) > Flat Suction

Cups PFYN > PFYN 15 FPM-65 G1/8-AG

Flat suction cup (round) for smooth or slightly rough surfaces



Size: 15

Suction cup material:

Fluorocautchuc FPM

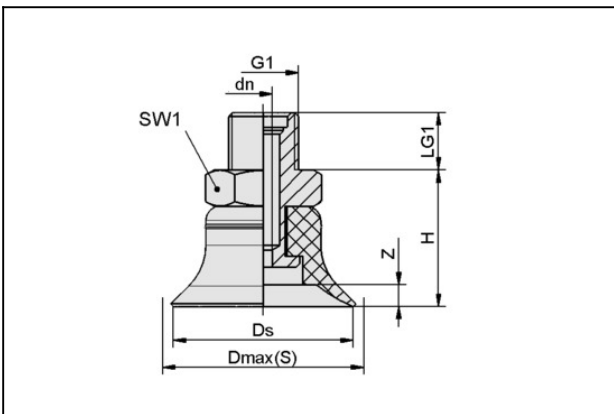
Material hardness: 65 °Sh

Material property: imprint-free

Nipple material: Aluminium

Vacuum connection: G1/8"-M

Design Data



Attribute	Value
dn	2 mm
Dmax(S)	17.5 mm
Ds	15 mm
G1	G1/8"-M
H	13 mm
LG1	8 mm
SW1	14 mm
Z (Stroke)	1.9 mm

Technical Data

Flat suction cup (round)

PFYN 15 FPM-65 G1/8-AG

Part no.:10.01.01.00183

<https://www.schmalz.com/10.01.01.00183>

Attribute	Value
Suction force (-600mbar)	9 N
Volume	0.4 cm ³
Curve radius (min) (convex)	12.5 mm
Hose diameter (empf.) d	4 mm
Size	15
Number of folds	0
Suction cup material	Fluorocaoutchuc FPM
Material hardness [Shore A]	65 Shore A
Weight	5.4 g
Product family	PFYN

Note: Suction force: The specified suction forces are theoretical values at a vacuum of -0.6 bar and with a smooth, dry workpiece surface - they do not include a safety factor
 Hose diameter: The recommended hose diameter refers to a hose length of approx. 2 m

Spare Parts



SA-NIP N005 G1/8-AG DN200

Part no.10.01.01.03529

Suction cup connection nipple

Nipple: N 005

Thread G1: G1/8"-M

Overall length: 17.5 mm

Fitting length: 5 mm

Nominal size: 2.00 mm

Material: Aluminium

Flat suction cup (round)

PFYN 15 FPM-65 G1/8-AG

Part no.:10.01.01.00183

<https://www.schmalz.com/10.01.01.00183>



PFG 15 FPM-65 N005

Part no.10.01.01.00071

Flat suction cup (round) for smooth or slightly rough surfaces

Size: 15

Suction cup material:

Fluorocautchuc FPM

Material hardness: 65 °Sh

Material property: imprint-free