

Flat suction cup (round)

SAF 125 NBR-60 G1/4-AG

Part no.:10.01.01.10666

<https://www.schmalz.com/10.01.01.10666>

Homepage > Vacuum Technology for Automation > Vacuum Components > Vacuum Suction Cups > Suction Cups for Handling Sheet Metal >

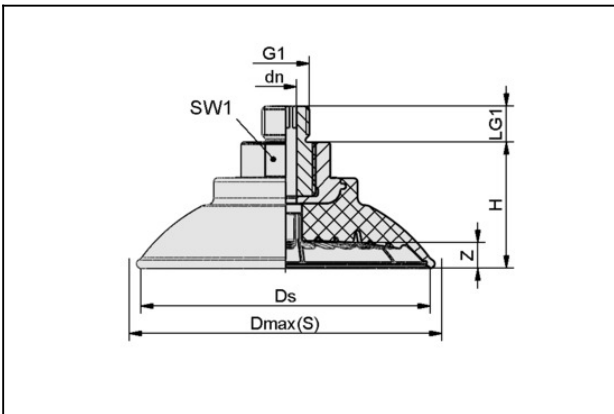
Flat Suction Cups SAF > SAF 125 NBR-60 G1/4-AG

Flat suction cup (round) for very dynamic handling of smooth and oily workpieces



Size: 125
 Suction cup material:
 Nitrile rubber NBR
 Material hardness: 60 °Sh
 Vacuum connection: G1/4"-M
 Nipple material: Aluminium

Design Data



Attribute	Value
dn	6 mm
Dmax(S)	135 mm
Ds	125 mm
G1	G1/4"-M
H	43 mm
LG1	10 mm
SW1	22 mm
Z (Stroke)	12.5 mm

Technical Data

Flat suction cup (round)

SAF 125 NBR-60 G1/4-AG

Part no.:10.01.01.10666

<https://www.schmalz.com/10.01.01.10666>

Attribute	Value
Suction force (-600mbar)	660 N
Lateral force	475 N
Lateral force (oily surface)	400 N
Volume	119 cm ³
Curve radius (min) (convex)	165 mm
Hose diameter (empf.) d	9 mm
Size	125
Suction cup material	Nitrile rubber NBR
Material hardness [Shore A]	60 Shore A
Weight	155.1 g
Number of folds	0
Product family	SAF

Note: Suction force: The specified suction forces are theoretical values at a vacuum of -0.6 bar and with a smooth, dry workpiece surface - they do not include a safety factor Lateral force: The specified lateral forces are values measured at a vacuum of -0.6 bar with a dry or oily, smooth, flat workpiece surface. Depending on the workpiece surface and its quality, the actual values may deviate from these values Hose diameter: The recommended hose diameter refers to a hose length of approx. 2 m

Accessories



SU 120

Part no.10.01.01.12437

Cover for suction cup

Size: 120

Clamping range: 115.0 ... 130.0 mm

Temperature resistance: 80 °C

Flat suction cup (round)

SAF 125 NBR-60 G1/4-AG

Part no.:10.01.01.10666

<https://www.schmalz.com/10.01.01.10666>

