

Flat suction cup (round)

SGP 15 HT1-60 N016

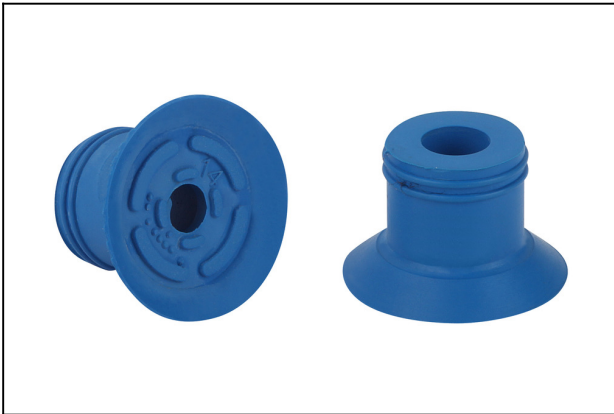
Part no.:10.01.01.12394

<https://www.schmalz.com/10.01.01.12394>

Homepage > Vacuum Technology for Automation > Vacuum Components > Vacuum Suction Cups > Suction Cups for Plastic Films and Paper >

SGP 15 HT1-60 N016

Flat suction cup (round) for careful gripping of paper, plastic film, etc.



Size: 15

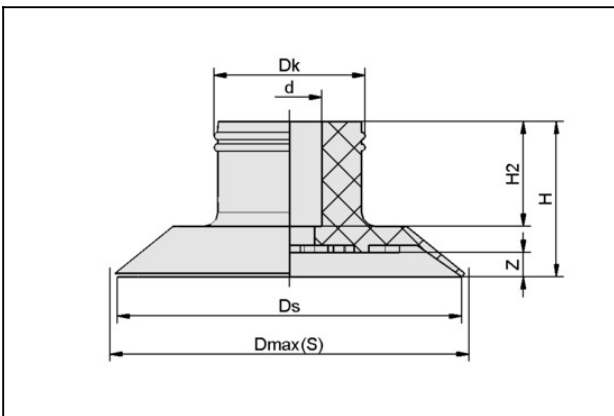
Suction cup material:

High temp material HT1

Material hardness: 60 °Sh

Material property: imprint-free

Design Data



Attribute

Value

d 4.5 mm

Dk 9.5 mm

Dmax(S) 15.5 mm

Ds 14.5 mm

H 10 mm

H2 7.2 mm

Z (Stroke) 0.9 mm

Technical Data

Attribute

Value

Suction force (-600mbar)

5.5 N

Flat suction cup (round)

SGP 15 HT1-60 N016

Part no.:10.01.01.12394

<https://www.schmalz.com/10.01.01.12394>



Attribute	Value
Volume	0.278 cm ³
Size	15
Nipple family	N 016
Number of folds	0
Suction cup material	High temp material HT1
Material hardness [Shore A]	60 Shore A
Weight	0.7 g
Product family	SGP
