

## Suction plate (round)

### SPL 70 POM-NBR G1/4-IG

Part no.:10.01.01.13107

<https://www.schmalz.com/10.01.01.13107>

Homepage > Vacuum Technology for Automation > Vacuum Components > Vacuum Suction Cups > Suction Cups for Handling Composites >

Suction Plates SPL POM-NBR > SPL 70 POM-NBR G1/4-IG

## Flat suction cup (round)



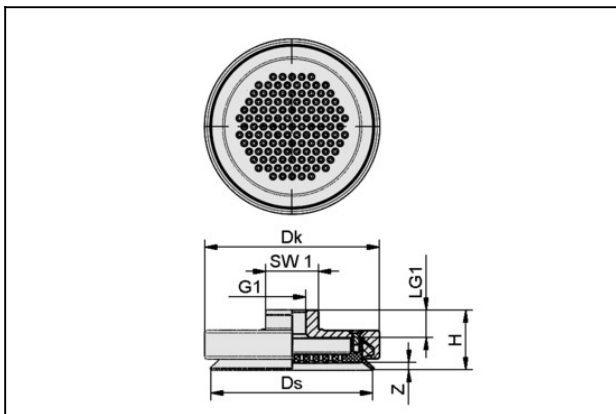
Size: 70

Suction cup material:

Polyoxymethylene - Perbunan

Vacuum connection: G1/4"-F

## Design Data



Attribute	Value
Dk	73 mm
Ds	68 mm
G1	G1/4"-F
H	24.5 mm
LG1	11.5 mm
SW1	22 mm
Z (Stroke)	3 mm

## Technical Data

Attribute	Value
Suction force (-600mbar)	217 N

## Suction plate (round)

### SPL 70 POM-NBR G1/4-IG

Part no.:10.01.01.13107

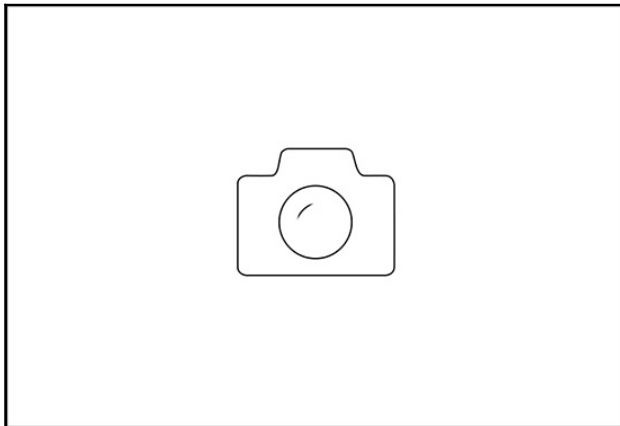
<https://www.schmalz.com/10.01.01.13107>

Attribute	Value
Volume	24.1 cm <sup>3</sup>
Hose diameter (empf.) d	6 mm
Connection	G1/4"-F
Connection	G1/4-IG
Number of folds	0
Suction cup material	Polyoxymethylene - Perbunan
Weight	91 g
Product family	SPL

Note: Suction force: The specified suction forces are theoretical values at a vacuum of -0.6 bar and with a smooth, dry workpiece surface - they do not include a safety factor  
Hose diameter: The recommended hose diameter refers to a hose length of approx. 2 m

---

## Spare Parts



### V-RING 63x13 V-65 S NBR

Part no.10.07.08.00100

V-ring

Internal diameter d: 63 mm

Length L: 13 mm

Type: V-65 S

Material: Rubber