

Universal holder

HTR-UNI 2N FSTI

Part no.:10.01.03.00297

<https://www.schmalz.com/10.01.03.00297>

Homepage > Vacuum Technology for Automation > Vacuum Components > Mounting Elements > Holder for Suction Cups and Spring Plungers
> Universal Holders HTR-UNI > HTR-UNI 2N FSTI

Universal holder for adjustable mounting of suction cups

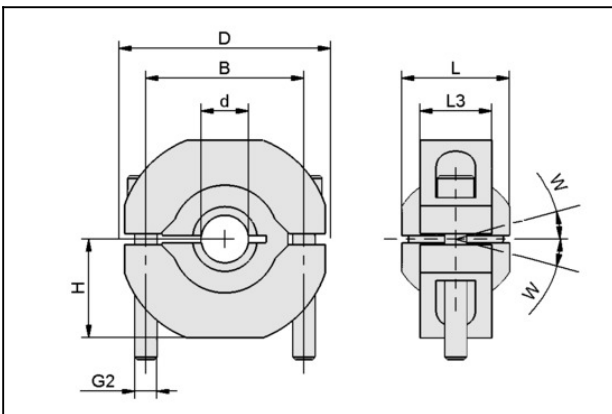


Cross-beam connection:

2 Sliding blocks

Shape: for FSTI

Design Data



Attribute	Value
B	44 mm
d	18 mm
D	59 mm
G2	M6-M
H	27.5 mm
L	28 mm
L3	20 mm
W	15 °

Technical Data

Universal holder

HTR-UNI 2N FSTI

Part no.:10.01.03.00297

<https://www.schmalz.com/10.01.03.00297>



Attribute	Value
Weight	155 g

Accessories



FSTI G1/4-AG G1/8-AG 25

Part no.10.01.02.00868

Spring plunger with internal damping spring and height compensation

Suction cup connection: G1/4"-M

Vacuum connection: G1/8"-M

Spring stroke Z: 25 mm



FSTI G1/4-AG G1/8-AG 25 VG

Part no.10.01.02.00869

Spring plunger with internal damping spring and height compensation

Suction cup connection: G1/4"-M

Vacuum connection: G1/8"-M

Spring stroke Z: 25 mm

Shape: With rotation lock



FSTI G1/4-AG G1/8-AG 50

Part no.10.01.02.00992

Spring plunger with internal damping spring and height compensation

Suction cup connection: G1/4"-M

Vacuum connection: G1/8"-M

Spring stroke Z: 50 mm

Universal holder

HTR-UNI 2N FSTI

Part no.:10.01.03.00297

<https://www.schmalz.com/10.01.03.00297>



FSTI G1/4-AG G1/8-AG 50 VG

Part no.10.01.02.00993

Spring plunger with internal damping spring and height compensation

Suction cup connection: G1/4"-M

Vacuum connection: G1/8"-M

Spring stroke Z: 50 mm

Shape: With rotation lock



FSTI G1/4-AG G1/8-IG 25

Part no.10.01.02.00870

Spring plunger with internal damping spring and height compensation

Suction cup connection: G1/4"-M

Vacuum connection: G1/8"-F

Spring stroke Z: 25 mm



FSTI G1/4-AG G1/8-IG 25 VG

Part no.10.01.02.00871

Spring plunger with internal damping spring and height compensation

Suction cup connection: G1/4"-M

Vacuum connection: G1/8"-F

Spring stroke Z: 25 mm

Shape: With rotation lock

Universal holder

HTR-UNI 2N FSTI

Part no.:10.01.03.00297

<https://www.schmalz.com/10.01.03.00297>



FSTI G1/4-AG G1/8-IG 50

Part no.10.01.02.00994

Spring plunger with internal damping spring and height compensation

Suction cup connection: G1/4"-M

Vacuum connection: G1/8"-F

Spring stroke Z: 50 mm



FSTI G1/4-AG G1/8-IG 50 VG

Part no.10.01.02.00995

Spring plunger with internal damping spring and height compensation

Suction cup connection: G1/4"-M

Vacuum connection: G1/8"-F

Spring stroke Z: 50 mm

Shape: With rotation lock



FSTI G3/8-AG G1/8-AG 25

Part no.10.01.02.00843

Spring plunger with internal damping spring and height compensation

Suction cup connection: G3/8"-M

Vacuum connection: G1/8"-M

Spring stroke Z: 25 mm

Universal holder

HTR-UNI 2N FSTI

Part no.:10.01.03.00297

<https://www.schmalz.com/10.01.03.00297>



FSTI G3/8-AG G1/8-AG 25 VG

Part no.10.01.02.00862

Spring plunger with internal damping spring and height compensation

Suction cup connection: G3/8"-M

Vacuum connection: G1/8"-M

Spring stroke Z: 25 mm

Shape: With rotation lock



FSTI G3/8-AG G1/8-AG 50

Part no.10.01.02.00996

Spring plunger with internal damping spring and height compensation

Suction cup connection: G3/8"-M

Vacuum connection: G1/8"-M

Spring stroke Z: 50 mm



FSTI G3/8-AG G1/8-AG 50 VG

Part no.10.01.02.00997

Spring plunger with internal damping spring and height compensation

Suction cup connection: G3/8"-M

Vacuum connection: G1/8"-M

Spring stroke Z: 50 mm

Shape: With rotation lock

Universal holder

HTR-UNI 2N FSTI

Part no.:10.01.03.00297

<https://www.schmalz.com/10.01.03.00297>



FSTI G3/8-AG G1/8-IG 25

Part no.10.01.02.00850

Spring plunger with internal damping spring and height compensation

Suction cup connection: G3/8"-M

Vacuum connection: G1/8"-F

Spring stroke Z: 25 mm



FSTI G3/8-AG G1/8-IG 25 VG

Part no.10.01.02.00863

Spring plunger with internal damping spring and height compensation

Suction cup connection: G3/8"-M

Vacuum connection: G1/8"-F

Spring stroke Z: 25 mm

Shape: With rotation lock



FSTI G3/8-AG G1/8-IG 50

Part no.10.01.02.00998

Spring plunger with internal damping spring and height compensation

Suction cup connection: G3/8"-M

Vacuum connection: G1/8"-F

Spring stroke Z: 50 mm

Universal holder

HTR-UNI 2N FSTI

Part no.:10.01.03.00297

<https://www.schmalz.com/10.01.03.00297>



FSTI G3/8-AG G1/8-IG 50 VG

Part no.10.01.02.00999

Spring plunger with internal damping spring and height compensation

Suction cup connection: G3/8"-M

Vacuum connection: G1/8"-F

Spring stroke Z: 50 mm

Shape: With rotation lock