

Flat suction cup (round)

SAOF 140x70 NBR-60 G3/8-IG

Part no.:10.01.05.00278

<https://www.schmalz.com/10.01.05.00278>

Homepage > Vacuum Technology for Automation > Vacuum Components > Vacuum Suction Cups > Suction Cups for Handling Sheet Metal >

Flat Suction Cups SAOF (Oval) > SAOF 140x70 NBR-60 G3/8-IG

Flat suction cup (oval) for very dynamic handling of smooth and oily workpieces



Dimensions (LxW): 140 x 70 mm

Suction cup material:

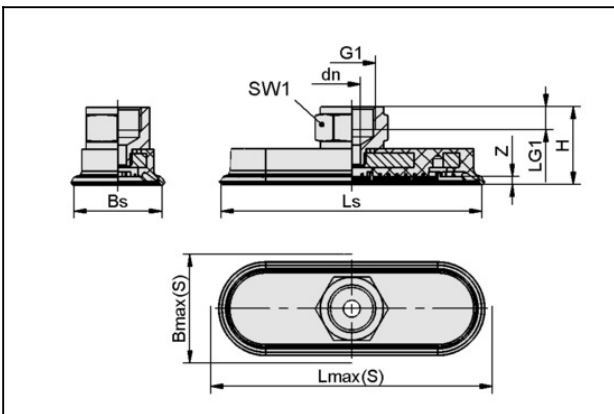
Nitrile rubber NBR

Material hardness: 60 °Sh

Nipple material: Brass, nickel-plated

Vacuum connection: G3/8"-F

Design Data



Attribute	Value
Bmax(S)	76 mm
Bs	67.6 mm
dn	8 mm
G1	G3/8"-F
H	33.5 mm
LG1	9 mm
Lmax(S)	149 mm
Ls	140.6 mm
SW1	22 mm
Z (Stroke)	7 mm

Flat suction cup (round)

SAOF 140x70 NBR-60 G3/8-IG

Part no.:10.01.05.00278

<https://www.schmalz.com/10.01.05.00278>



Technical Data

Attribute	Value
Suction force (-600mbar)	425 N
Lateral force	344 N
Lateral force (oily surface)	230 N
Volume	57.3 cm ³
Curve radius (min) (convex)	90 mm
Hose diameter (empf.) d	6 mm
Dimensions (LxB)	140 x 70
Number of folds	0
Suction cup material	Nitrile rubber NBR
Material hardness [Shore A]	60.0 Shore A
Weight	107.3 g
Product family	SAOF

Note: Suction force: The specified suction forces are theoretical values at a vacuum of -0.6 bar and with a smooth, dry workpiece surface - they do not include a safety factor Lateral force: The specified lateral forces are values measured at a vacuum of -0.6 bar with a dry or oily, smooth, flat workpiece surface. Depending on the workpiece surface and its quality, the actual values may deviate from these values Hose diameter: The recommended hose diameter refers to a hose length of approx. 2 m