

Bellows scution cup (round)

FGA 33 SI-55 N018

Part no.:10.01.06.00126

<https://www.schmalz.com/10.01.06.00126>

Homepage > Vacuum Technology for Automation > Vacuum Components > Vacuum Suction Cups > Bellows Suction Cups (Round) > FGA 33

SI-55 N018

Bellows suction cup (round) with optimal adaptation to uneven surfaces



Size: 33

Suction cup material: Silicone SI

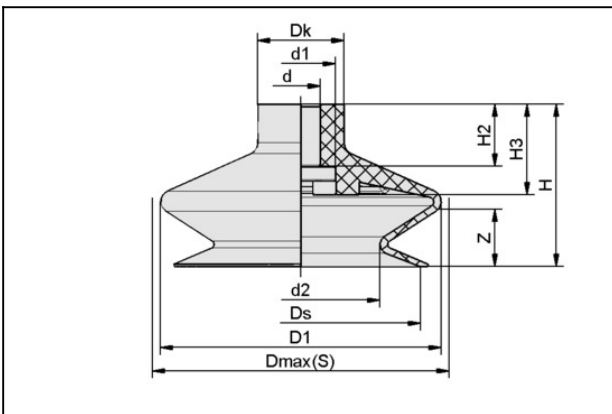
Material hardness: 55 °Sh

Material characteristics:

FDA-compatible

Number of folds: 1.5

Design Data



Attribute	Value
d	8 mm
d1	16 mm
d2	17 mm
D1	36 mm
Dk	18 mm
Dmax(S)	38 mm
Ds	30 mm
H	27 mm
H2	13 mm
H3	14 mm
Z (Stroke)	9 mm

Bellows scution cup (round)

FGA 33 SI-55 N018

Part no.:10.01.06.00126

<https://www.schmalz.com/10.01.06.00126>

Technical Data

Attribute	Value
Number of folds	1.5
Suction force (-600mbar)	13.6 N
Size	33
Suction cup material	Silicone SI
Weight	6.8 g
Curve radius (min) (convex)	40 mm
Product family	FGA

Accessories



SA-NIP N018 G1/4-AG DN440

Part no.10.01.06.01065

Suction cup connection nipple

Nipple: N 018

Thread G1: G1/4"-M

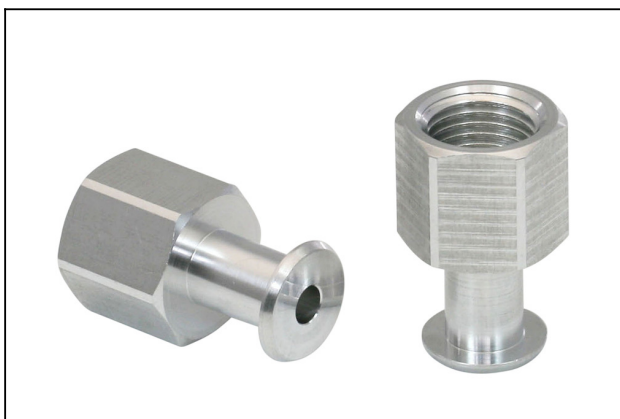
Overall length: 28.8 mm

Fitting length: 4 mm

Nominal size: 4,40 mm

Material: Aluminium

Spanner size SW2: 5 mm



SA-NIP N018 G1/4-IG DN440

Part no.10.01.06.01066

Suction cup connection nipple

Nipple: N 018

Thread G1: G1/4"-F

Overall length: 28.8 mm

Fitting length: 15 mm

Nominal size: 4,40 mm

Material: Aluminium

Spanner size SW2: 5 mm

Bellows scution cup (round)

FGA 33 SI-55 N018

Part no.:10.01.06.00126

<https://www.schmalz.com/10.01.06.00126>



SPI 32 PEEK

Part no.10.01.06.03287

Suction cup insert for handling of sensitive workpieces
without leaving marks

Size: 32

Material: Polyetheretherketon