

Bellows scution cup (round)

SABT 60 NBR-60

Part no.:10.01.06.01877

<https://www.schmalz.com/10.01.06.01877>

Homepage > Vacuum Technology for Automation > Vacuum Components > Vacuum Suction Cups > Suction Cups for Handling Sheet Metal >

SABT 60 NBR-60

Bellows suction cup (round) with 1.5 bellows



Size: 60

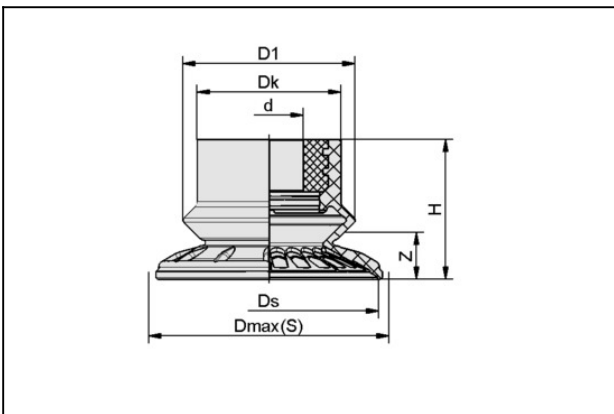
Suction cup material:

Nitrile rubber NBR

Material hardness: 60 °Sh

Number of folds: 1.5

Design Data



Attribute	Value
d	19 mm
D1	66 mm
Dk	40 mm
Dmax(S)	66 mm
Ds	63 mm
H	39 mm
Z (Stroke)	14.3 mm

Technical Data

Attribute	Value
Size	60

Bellows scution cup (round)

SABT 60 NBR-60

Part no.:10.01.06.01877

<https://www.schmalz.com/10.01.06.01877>



Attribute	Value
Suction cup material	Nitrile rubber NBR
Number of folds	1.5
Weight	31.5 g
Product family	SABT