

Bellows suction cup (rectangular)

FSGB-R 52x25 NBR-50 G1/4-AG

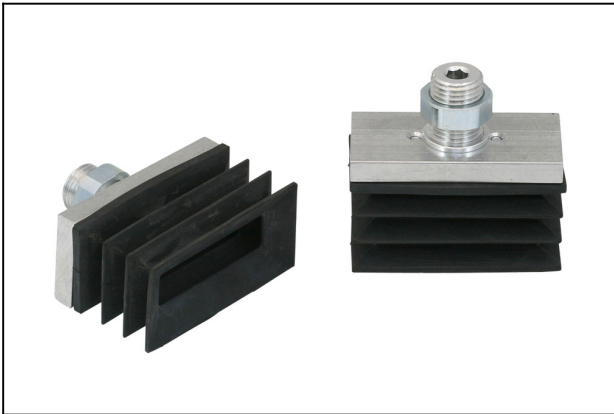
Part no.:10.01.06.02281

<https://www.schmalz.com/10.01.06.02281>

Homepage > Vacuum Technology for Automation > Vacuum Components > Vacuum Suction Cups > Suction Cups for Packaging > Bellows

Suction Cups FSGB-R (Rectangular) > FSGB-R 52x25 NBR-50 G1/4-AG

Bellows suction cup (rectangular)



Dimensions (LxW): 52 x 25 mm

Suction cup material:

Nitrile rubber NBR

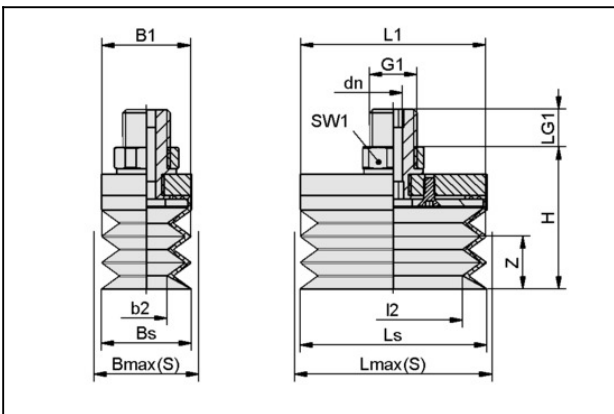
Material hardness: 50 °Sh

Number of folds: 2.5

Nipple material: Aluminium

Vacuum connection: G1/4"-M

Design Data



| Attribute | Value |
|-----------|---------|
| b2 | 10 mm |
| B1 | 25 mm |
| Bmax(S) | 27.5 mm |
| Bs | 25 mm |
| dn | 5 mm |
| G1 | G1/4"-M |
| H | 50 mm |
| l2 | 37 mm |
| L1 | 52 mm |
| LG1 | 10.5 mm |
| Lmax(S) | 54.5 mm |
| Ls | 52 mm |
| SW1 | 17 mm |

Bellows suction cup (rectangular)

FSGB-R 52x25 NBR-50 G1/4-AG

Part no.:10.01.06.02281

<https://www.schmalz.com/10.01.06.02281>



| Attribute | Value |
|------------|-------|
| Z (Stroke) | 15 mm |

Technical Data

| Attribute | Value |
|-----------------------------|--------------------|
| Suction force (-600mbar) | 20 N |
| Volume | 16 cm ³ |
| Curve radius (min) (convex) | 10 mm |
| Hose diameter (empf.) d | 6 mm |
| Dimensions (LxB) | 52 x 25 |
| Number of folds | 2.5 |
| Suction cup material | Nitrile rubber NBR |
| Material hardness [Shore A] | 50 Shore A |
| Weight | 45 g |
| Product family | FSGB-R |

Note: Suction force: The specified suction forces are theoretical values at a vacuum of -0.6 bar and with a smooth, dry workpiece surface - they do not include a safety factor
Hose diameter: The recommended hose diameter refers to a hose length of approx. 2 m

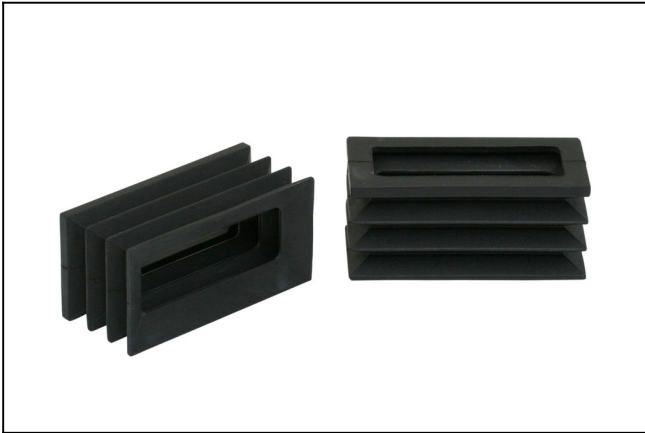
Spare Parts

Bellows suction cup (rectangular)

FSGB-R 52x25 NBR-50 G1/4-AG

Part no.:10.01.06.02281

<https://www.schmalz.com/10.01.06.02281>



FGB-R 52x25 NBR-50

Part no.10.01.06.01115

Bellows suction cup (rectangular)

Dimensions (LxW): 52 x 25 mm

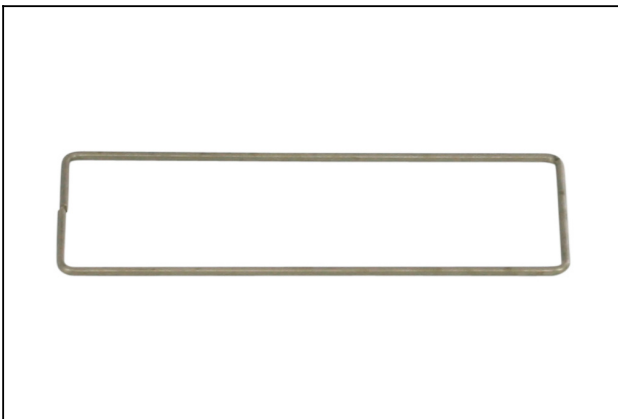
Suction cup material:

Nitrile rubber NBR

Material hardness: 50 °Sh

Number of folds: 2.5

Accessories



ST-RAHM 50x23 1

Part no.10.01.06.02276

Supporting frame

Length L: 50 mm

Width B: 23 mm

Diameter: 1 mm