

Bell suction cup (round)

FSG 52 NK-45 G1/4-AG

Part no.:10.01.06.02385

<https://www.schmalz.com/10.01.06.02385>

Homepage > Vacuum Technology for Automation > Vacuum Components > Vacuum Suction Cups > Bellows Suction Cups (Round) > Bellows Suction Cups FSG (2.5 Folds) > FSG 52 NK-45 G1/4-AG

Bellows suction cup (round) for very uneven workpieces



Size: 52

Suction cup material:

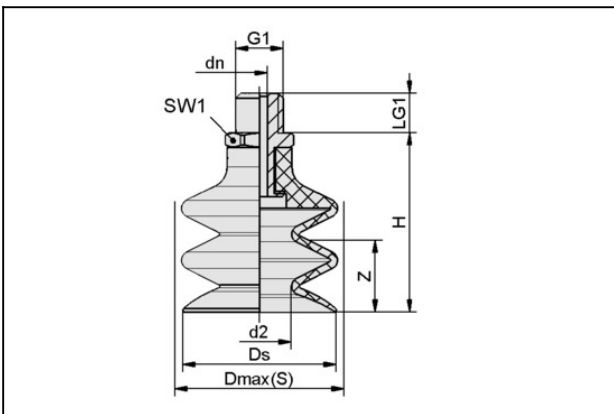
Natural Rubber NK

Material hardness: 45 °Sh

Vacuum connection: G1/4"-M

Number of folds: 2.5

Design Data



Attribute	Value
d2	24.6 mm
dn	4.4 mm
Dmax(S)	55 mm
Ds	52.5 mm
G1	G1/4"-M
H	64 mm
LG1	11 mm
SW1	17 mm
Z (Stroke)	25 mm

Technical Data

Bell suction cup (round)

FSG 52 NK-45 G1/4-AG

Part no.:10.01.06.02385

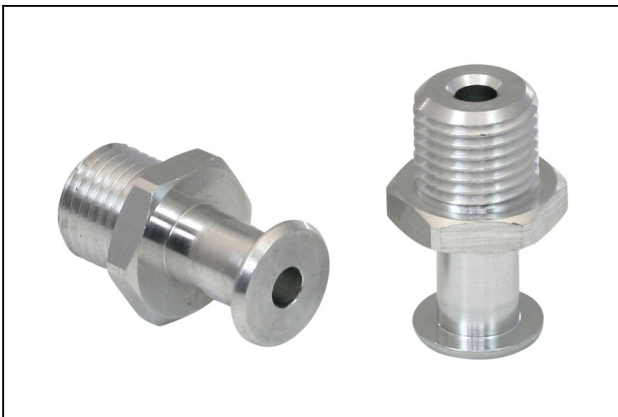
<https://www.schmalz.com/10.01.06.02385>



Attribute	Value
Suction cup material	Natural rubber NK
Material hardness [Shore A]	45 Shore A
Size	52
Number of folds	2.5
Connection	G1/4-AG
Curve radius (min) (convex)	75 mm
Volume	35 cm ³
Suction force (-600mbar)	28.52 N
Pull-off force	96 N
Hose diameter (empf.) d	6 mm
Weight	32.3 g
Product family	FSG

Note: Suction force: The specified suction forces are theoretical values at a vacuum of -0.6 bar and with a smooth, dry workpiece surface - they do not include a safety factor Pull-off force: The pull-off force of the versions made of natural rubber is reduced by about 40% Hose diameter: The recommended hose diameter refers to a hose length of approx. 2 m

Spare Parts



SA-NIP N018 G1/4-AG DN440

Part no.10.01.06.01065

Suction cup connection nipple

Nipple: N 018

Thread G1: G1/4"-M

Overall length: 28.8 mm

Fitting length: 4 mm

Nominal size: 4,40 mm

Material: Aluminium

Spanner size SW2: 5 mm

Bell suction cup (round)

FSG 52 NK-45 G1/4-AG

Part no.:10.01.06.02385

<https://www.schmalz.com/10.01.06.02385>



FG 52 NK-45 N018

Part no.10.01.06.02382

Bellows suction cup (round) for very uneven workpieces

Size: 52

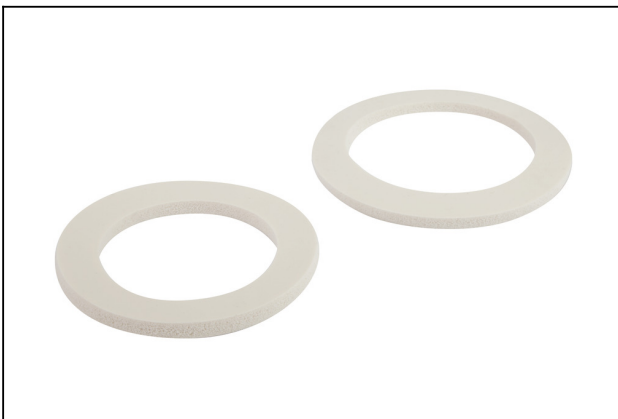
Suction cup material:

Natural Rubber NK

Material hardness: 45 °Sh

Number of folds: 2.5

Accessories



DR 52/33x5 MOS SI-15

Part no.10.01.06.02548

Gasket made from special foam for optimal sealing of structured surfaces

External diameter D: 52 mm

Internal diameter d: 33 mm

Height H: 5 mm

Material-Type: Foam rubber

Sealing material: Silicone SI

Material hardness: 15 °Sh



FD 44 120

Part no.10.01.06.02573

Filter disc

External diameter D: 44 mm

Filter pore size: 120 µm

for: Bellows suction cup

Size: FG 52

Bell suction cup (round)

FSG 52 NK-45 G1/4-AG

Part no.:10.01.06.02385

<https://www.schmalz.com/10.01.06.02385>



SU 50

Part no.10.01.01.12837

Cover for suction cup

Size: 50

Clamping range: 45.0 ... 60.0 mm

Temperature resistance: 80 °C