

Bellows suction cup HT2 (round)

SAB 22 HT2-65 G1/4-IG

Part no.:10.01.06.02419

<https://www.schmalz.com/10.01.06.02419>

Homepage > Vacuum Technology for Automation > Vacuum Components > Vacuum Suction Cups > Suction Cups for Handling Sheet Metal >

Bellows Suction Cups SAB (1.5 Folds) > SAB 22 HT2-65 G1/4-IG

Bellows suction cup (round) for handling hot workpieces



Size: 22

Suction cup material:

High temp material HT2

Material hardness: 65 °Sh

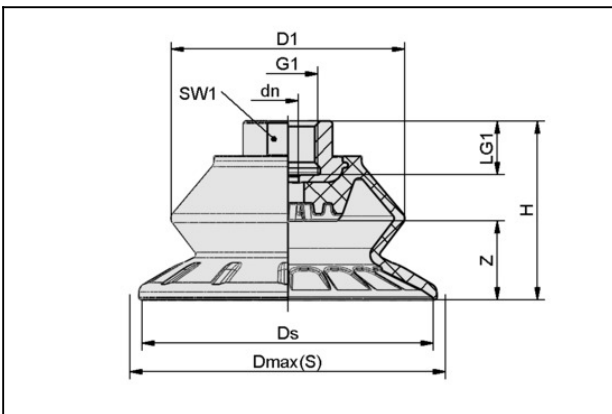
Temperature resistance: 200 °C

Vacuum connection: G1/4"-F

Number of folds: 1.5

Nipple material: Aluminium

Design Data



Attribute	Value
dn	3.5 mm
D1	22 mm
Dmax(S)	24 mm
Ds	20.6 mm
G1	G1/4"-F
H	25 mm
LG1	12 mm
SW1	16 mm
Z (Stroke)	5.8 mm

Technical Data

Bellows suction cup HT2 (round)

SAB 22 HT2-65 G1/4-IG

Part no.:10.01.06.02419

<https://www.schmalz.com/10.01.06.02419>



Attribute	Value
Suction force (-600mbar)	16 N
Pull-off force	24 N
Lateral force	17 N
Volume	1.5 cm ³
Curve radius (min) (convex)	20 mm
Hose diameter (empf.) d	4 mm
Size	22
Connection	G1/4"-F
Suction cup material	Hightemp. material HT2
Material hardness [Shore A]	65 Shore A
Weight	10.4 g
Number of folds	1.5
Product family	SAB

Note: Suction force: The specified suction forces are theoretical values at a vacuum of -0.6 bar and with a smooth, dry workpiece surface - they do not include a safety factor Lateral force: The specified lateral forces are values measured at a vacuum of -0.6 bar with a dry or oily, smooth, flat workpiece surface. Depending on the workpiece surface and its quality, the actual values may deviate from these values Hose diameter: The recommended hose diameter refers to a hose length of approx. 2 m