

Vacuum block

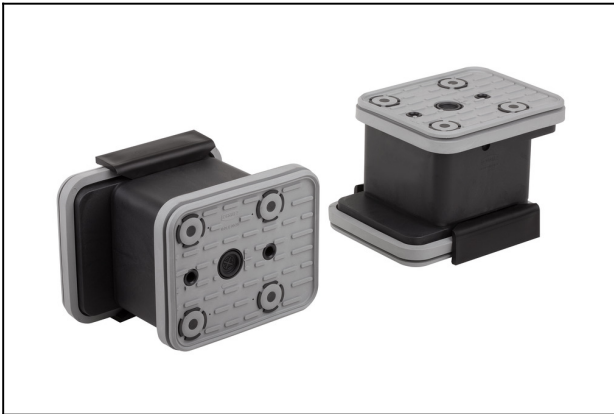
VCBL-K2 140x115x100

Part no.:10.01.12.00445

<https://www.schmalz.com/10.01.12.00445>

Homepage > Vacuum Clamping Technology > Clamping Equipment for Woodworking > Clamping Equipment for 2-Circuit Systems > Vacuum Blocks VCBL-K2 > VCBL-K2 140x115x100

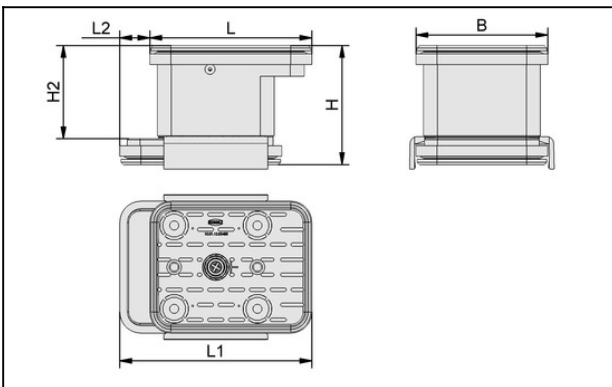
Vacuum block for Schmalz 2-circuit console



Dimensions (LxW): 140 x 115 mm

Height H: 100 mm

Design Data



Attribute	Value
B	115 mm
H	100 mm
H2	74.8 mm
L	140 mm
L1	166 mm
L2	26 mm

Technical Data

Attribute	Value
Weight	0.77 kg

Vacuum block

VCBL-K2 140x115x100

Part no.:10.01.12.00445

<https://www.schmalz.com/10.01.12.00445>

Spare Parts



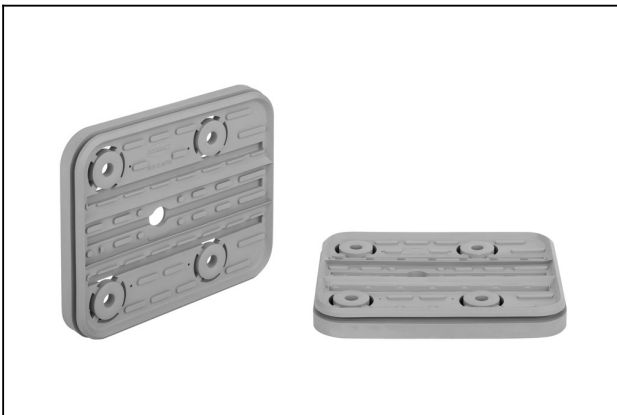
VCSP-O 140x115x16.5

Part no.10.01.12.00488

Suction-Plate for vacuum block, (top)

Dimensions (LxW): 140 x 115 mm

Height H: 16.5 mm



VCSP-U 140x115x16.5 VCBL-K2

Part no.10.01.12.00798

Suction plate for vacuum block bottom

Dimensions (LxW): 140 x 115 mm

Height H: 16.5 mm

for: Vacuum block VCBL-K2



VST VCAS

Part no.10.01.12.00173

Set of parts subject to wear

for: Vacuum block lift-off system

Vacuum block

VCBL-K2 140x115x100

Part no.:10.01.12.00445

<https://www.schmalz.com/10.01.12.00445>



VCSP-O 140x115x18.5 MOS

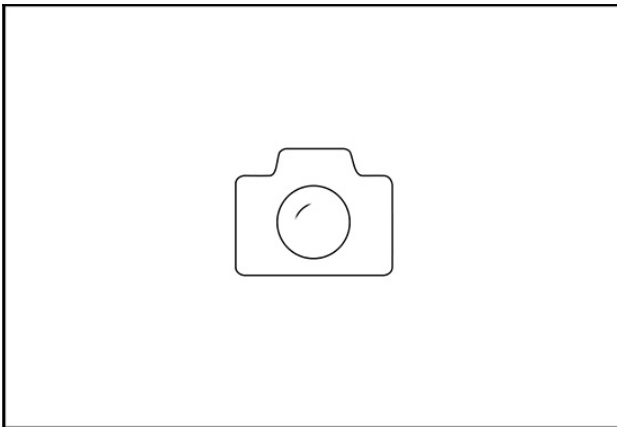
Part no.10.01.12.03507

Suction-Plate for vacuum block, (top)

Dimensions (LxW): 140 x 115 mm

Height H: 18.5 mm

with: Sealing lip with MOS



VST VCAS

Part no.10.01.12.00554

Set of parts subject to wear

for: Vacuum block lift-off system



VST VCBL Einleger

Part no.10.01.12.00618

Set of parts subject to wear

for: Vacuum block

Size: Einleger

Accessories

Vacuum block

VCBL-K2 140x115x100

Part no.:10.01.12.00445

<https://www.schmalz.com/10.01.12.00445>



VCSP-O 140x115x18.5 MOS

Part no.10.01.12.03507

Suction-Plate for vacuum block, (top)

Dimensions (LxW): 140 x 115 mm

Height H: 18.5 mm

with: Sealing lip with MOS