

## Sealing frame

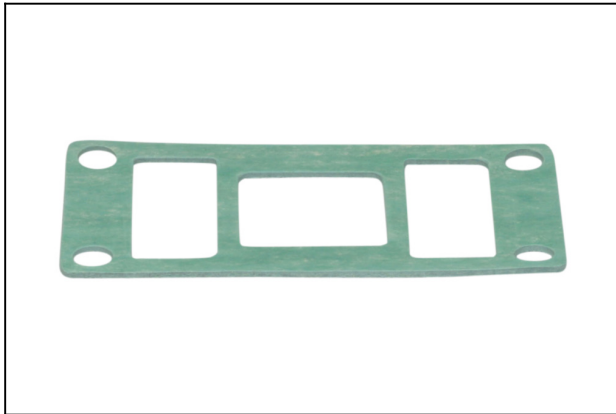
### DI-RA 80x40 PPTA MO-PROF

Part no.:10.07.08.00132

<https://www.schmalz.com/10.07.08.00132>

Homepage > Vacuum Technology for Automation > Vacuum Components > Mounting Elements > Sections and Connectors > DI-RA 80x40 PPTA MO-PROF

## Sealing frame

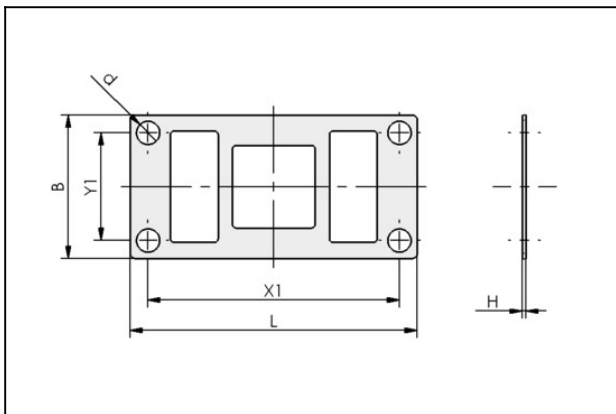


Length L: 80 mm

Width B: 40 mm

Sealing material: Polyaramid PPTA

## Design Data



Attribute	Value
B	40 mm
d	6.5 mm
H	1 mm
L	80 mm
X1	70 mm
Y1	30 mm