

Vacuum hose

VSL 48-38 PVC-DS

Part no.:10.07.09.00009

<https://www.schmalz.com/10.07.09.00009>

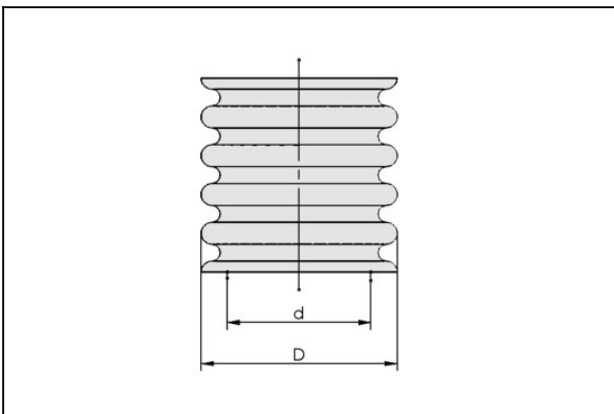
Homepage > Vacuum Technology for Automation > Vacuum Components > Filters and Connections > Hoses and Connectors > Vacuum /
Compressed Air Hoses VSL > VSL 48-38 PVC-DS

Hose for vacuum and compressed-air systems



External diameter D: 48 mm
Internal diameter d: 38 mm
Length (max): 30 m
Material: PVC, with wire spiral
Installation radius (min): 120 mm
Pressure range (operating pressure):
-0.88 ... 7.00 bar
Ambient temperature: -15 ... 65 °C

Design Data



Attribute	Value
d	38 mm
D	48 mm

Technical Data

Attribute	Value
Hose type	48-38
Pressure range (operating pressure)	-0,88 ... 7,00 bar
Operating temperature	-20 ... 70 °C

Vacuum hose

VSL 48-38 PVC-DS

Part no.:10.07.09.00009

<https://www.schmalz.com/10.07.09.00009>

Attribute	Value
Bending radius min.	120 mm
Length max.	30 m
Weight/Meter	896 g/m
Weight/Meter	0.896 kg/m
Material hose	PVC, with wire spiral

Note: Operating pressure: In reference to media and ambient temperature of + 20°C Bending radius: Referred to the inner side of the hose bend in a static state Max. length: Please indicate the tube length when placing the order!

Accessories



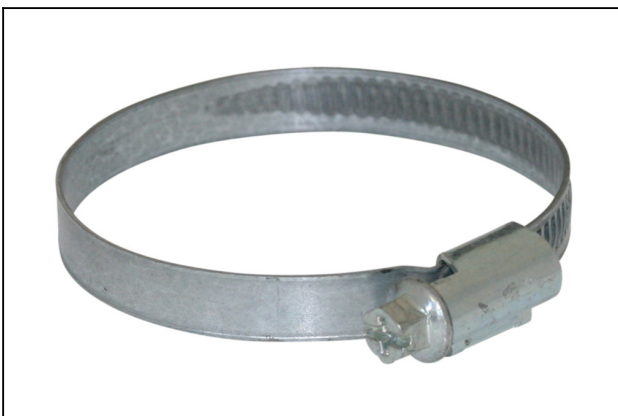
SSB 32-50 ST-VZ

Part no.10.07.10.00004

Hose clamp for securing smooth hoses

Clamping range: 32.0 ... 50.0 mm

Material: Steel galvanised



SSB 40-60 ST-VZ

Part no.10.07.10.00005

Hose clamp for securing smooth hoses

Clamping range: 40.0 ... 60.0 mm

Material: Steel galvanised

Vacuum hose

VSL 48-38 PVC-DS

Part no.:10.07.09.00009

<https://www.schmalz.com/10.07.09.00009>



ST G1-1/2-AG 38 MS-V

Part no.10.08.03.00170

Hose sleeve

Thread G1: G1-1/2"-M

Internal hose diameter: 38 mm

Material: Brass

Surface: nickel plated