

Bell suction cup (round)

FSG 7 HT1-60 M5-AG

Part no.:10.01.06.01237

<https://www.schmalz.com/10.01.06.01237>

Homepage > Vacuum Technology for Automation > Vacuum Components > Vacuum Suction Cups > Bellows Suction Cups (Round) > Bellows Suction Cups FSG (2.5 Folds) > FSG 7 HT1-60 M5-AG

Bellows suction cup (round) for very uneven workpieces



Size: 7

Suction cup material:

High temp material HT1

Material hardness: 60 °Sh

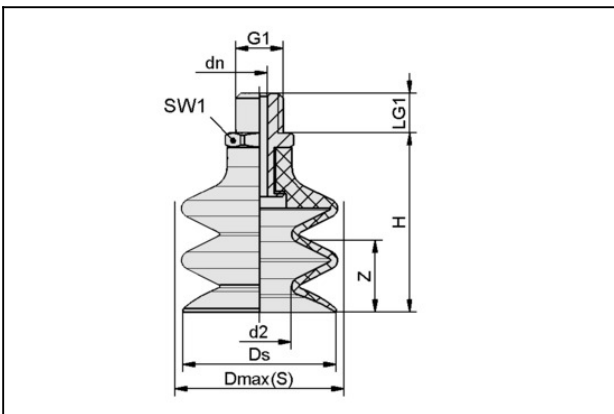
Material property: imprint-free

Nipple material: Aluminium

Vacuum connection: M5-M

Number of folds: 2.5

Design Data



Attribute	Value
d2	1.8 mm
dn	2.5 mm
Dmax(S)	9 mm
Ds	5.9 mm
G1	M5-M
H	19 mm
LG1	5 mm
SW1	7 mm
Z (Stroke)	3 mm

Technical Data

Bell suction cup (round)

FSG 7 HT1-60 M5-AG

Part no.:10.01.06.01237

<https://www.schmalz.com/10.01.06.01237>

Attribute	Value
Suction cup material	High temp material HT1
Material hardness [Shore A]	60.0 Shore A
Size	7
Number of folds	2.5
Connection	M5-AG
Curve radius (min) (convex)	7.5 mm
Volume	0.043 cm ³
Suction force (-600mbar)	0.15 N
Pull-off force	0.9 N
Hose diameter (empf.) d	2 mm
Weight	1.6 g
Product family	FSG

Note: Suction force: The specified suction forces are theoretical values at a vacuum of -0.6 bar and with a smooth, dry workpiece surface - they do not include a safety factor Pull-off force: The pull-off force of the versions made of natural rubber is reduced by about 40% Hose diameter: The recommended hose diameter refers to a hose length of approx. 2 m

Spare Parts



SA-NIP N016 M5-AG DN250

Part no.10.01.06.00123

Suction cup connection nipple

Nipple: N 016

Thread G1: M5-M

Overall length: 16 mm

Fitting length: 5 mm

Nominal size: 2,50 mm

Material: Aluminium

Bell suction cup (round)

FSG 7 HT1-60 M5-AG

Part no.:10.01.06.01237

<https://www.schmalz.com/10.01.06.01237>



FG 7 HT1-60 N016

Part no.10.01.06.01251

Bellows suction cup (round) for very uneven workpieces

Size: 7

Suction cup material:

High temp material HT1

Material hardness: 60 °Sh

Number of folds: 2.5

Material property: imprint-free